

KLCRANES.INC

2717 SYLVAIN ST ,ROCKLAND,ON,K4K1S6,CANADA
PHONE/FAX 1-855-888-1894

**REMOTE CONTROL F21-4D**

4 Button double step system that comes with 1 receiver +1 Transmitter
(with a control voltage of 24/48/110/220/380 VAC 12/24 VDC)

GENERAL SPECIFICATION

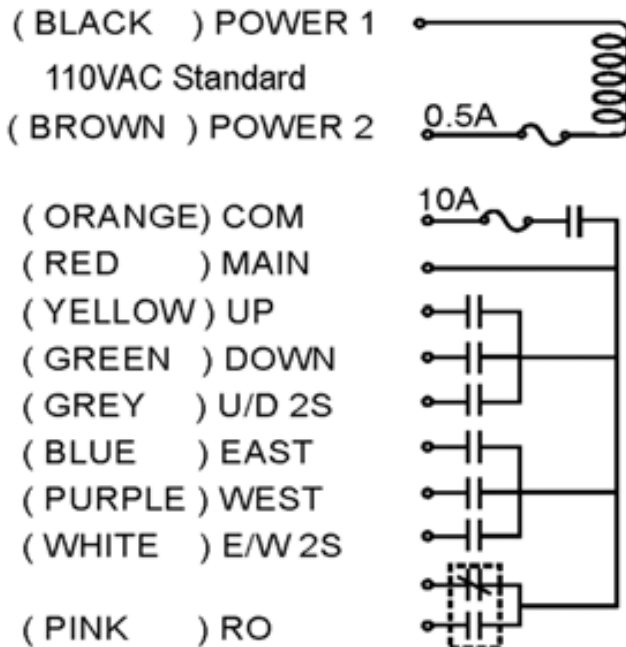
Typical application :
Hoist, winches, lifts, doors,
Operating Distance: 250feet
Frequency: 310 Mhz band
Frequency generation: Crystal
(plug in)
Security coding: 4.3 billion unique
ID code
Environmental rating: IP 65
Licensing: FCC certified, no
licences needed. FCC identifier
2384AF212S
Warranty : 2 years
Temperature rating:
-35 deg C a 75 deg C (-31 deg F a
167 deg F

RECEVEIR SPECIFICATION

Size: W 3.37"x D 7.10" xL 7.37"
Parts : F21-4D-RX
Power standards:
110/220 VAC
Power available:
24/48/110/220/380 VAC 12/24 VDC
Relay rating :
10 Amp/250 V AC
Weight : 3 Lbs
Includes: Pre-cabled
Accessories available:
Exterior anten
Horn

TRANSMITTER SPECIFICATIONS

Parts : F21-4D-TX
Transmitters: 1 supplied standard
Size: W 2" x D .2" x L 6.2"
Weight: 9 ounces
Matériel: Shock resistant, fiber
reinforced nylon
Power source: 2 AA alkaline batteries
Battery power indication : LED
Buttons: 4 programmable, 2 double step
plus start and stop. Rated to 2 million
cycles
Start key: Setting buttons
Stop Button: Key magnetic

F21•4D**WHY BUYING TELECRANE?**

Quality-price relationship
unattainable

Quick and efficient service,
contained prices of spare parts

Iso 9001 certified production

Ready delivery for the entire set of
products

Rapidity of installation, receiver
with wire cable

Test of every product provided with
its relative certificate

Contained weight and sizes,
friendly use