

**KLCRANES.INC**

2717 SYLVAIN ST ,ROCKLAND,ON,K4K1S6,CANADA  
PHONE/FAX 1-855-888-1894



**REMOTE CONTROL F21-6S(E1)**

6 Button single step system that comes with 1 receiver +1 Transmitter  
( with a control voltage of 24/48/110/220/380 VAC 12/24 VDC)

**GENERAL SPECIFICATION**

**Typical application :**  
Hoist, winches, lifts, doors,  
**Operating Distance:** 250feet  
**Frequency:** 310 Mhz band  
**Frequency generation:** Crystal  
(plug in)  
**Security coding:** 4.3 billion unique  
ID code  
**Environmental rating:** IP 65  
**Licensing:** FCC certified, no  
licences needed. FCC identifier  
2384AF212S  
**Warranty :** 2 years  
**Temperature rating:**  
-35 deg C a 75 deg C (-31 deg F a  
167 deg F

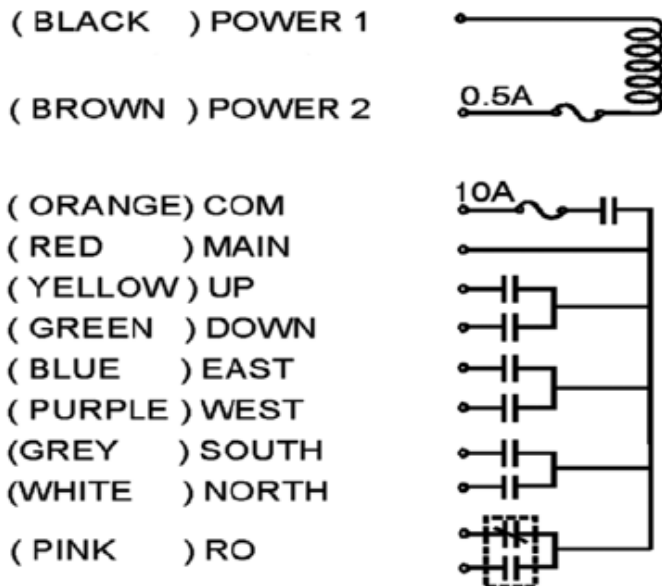
**RECEVEIR SPECIFICATION**

**Size:** W 3.37"x D 7.10" xL 7.37"  
**Parts :** F21-6S-RX  
**Power standards:**  
110/220 VAC  
**Power available:**  
24/48/110/220/380 VAC 12/24 VDC  
**Relay rating :**  
10 Amp/250 V AC  
**Weight :** 3 Lbs  
**Includes:** Pre-cabled  
**Accessories available:**  
Exterior anten  
Horn

**TRANSMITTER SPECIFICATIONS**

**Parts :** F21-6S-TX  
**Transmitters:** 1 supplied standard  
**Size:** W 2" x D .2" x L 6.2"  
**Weight:** 9 ounces  
**Matériel:** Shock resistant, fiber  
reinforced nylon  
**Power source:** 2 AA alkaline batteries  
**Battery power indication :** LED  
**Buttons:** 6 programmable, 2 step plus  
start and stop. Rated to 2 million cycles  
**Start key:** Setting buttons  
**Stop Button:** Key magnetic

**F21-6S**



**WHY BUYING TELECRANE?**

- Quality-price relationship unattainable
- Quick and efficient service, contained prices of spare parts
- Iso 9001 certified production
- Ready delivery for the entire set of products
- Rapidity of installation, receiver with wire cable
- Test of every product provided with its relative certificate
- Contained weight and sizes, friendly use